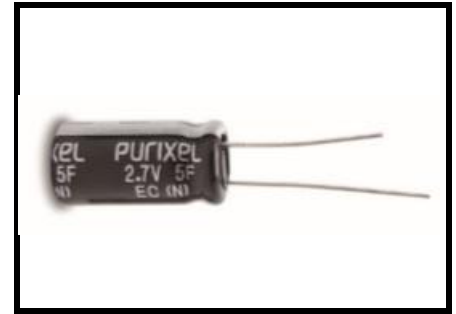


Purixel(ELECTRIC DOUBLE LAYER CAPACITORS)

PEC

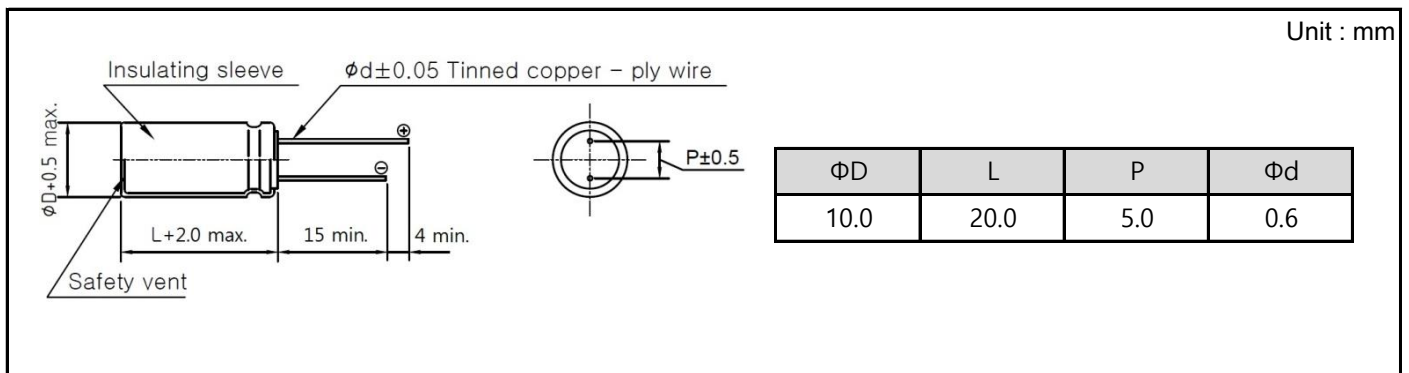
Radial Type
Standard Series



- Endurance : 2.7V 65°C 1500 hours
- Small size, high capacitance and low resistance
- Longer cycle life than other secondary batteries

Item	Characteristics	
Operating Temperature Range	-40 ~ +65°C	
Rated Voltage	2.7 VDC	
Capacitance Tolerance	-10% ~ +20%	
Temperature Characteristics	Capacitance change	Within ±5% of initial value at +25°C
	Internal resistance	Within ±50% of initial value at +25°C
Endurance	Duration	1500 hours
	Capacitance charge	Within ≤30% of initial value
	Internal resistance	Within ≤100% of initial specified value
Shelf Life	After 1500 hours no load test same as endurance	
Life Time at RT ⁽¹⁾	10 years	(1) ΔC ≤30% of initial value and ESR ≤100% of initial specified value.
Cycle Life(25°C) ⁽¹⁾⁽²⁾	500,000 cycles	(2) Cycle : between rated voltage and half rated voltage under constant current at 25 °C

• DIMENSIONS



• SPECIFICATIONS

Rated Voltage	Cap.	ESR, 1kHz	ESR, DC	LC(72hr)	Specific Energy	Specific Power	Max. Peak Current	Weight	Volume	PART No.
V	F	mΩ	mΩ	mA	Wh/kg	kW/kg	A	g	mL	
2.7	5	40	45	0.010	2.41	19.29	5.51	2.10	1.57	PEC02R7SN50510020

1. Capacitance and Equivalent Series Resistance (ESR) measured according to IEC62391-1 at +25°C, with current in milliamps (mA) = 10°C
2. Leakage Current at 25°C after 72 hours charge and hold
3. Specific Energy (Wh/kg) = $(\frac{1}{2} * C * V^2) / 3600 / \text{weight}$
4. Specific Power (kW/kg) = $(V^2 / 4 * \text{ESR}) / \text{weight}$
5. Max Peak Current in Amps (A), 1 second discharge from rated voltage to half rated voltage = $(\frac{1}{2} * C * V) / (1 + \text{ESR} * C)$